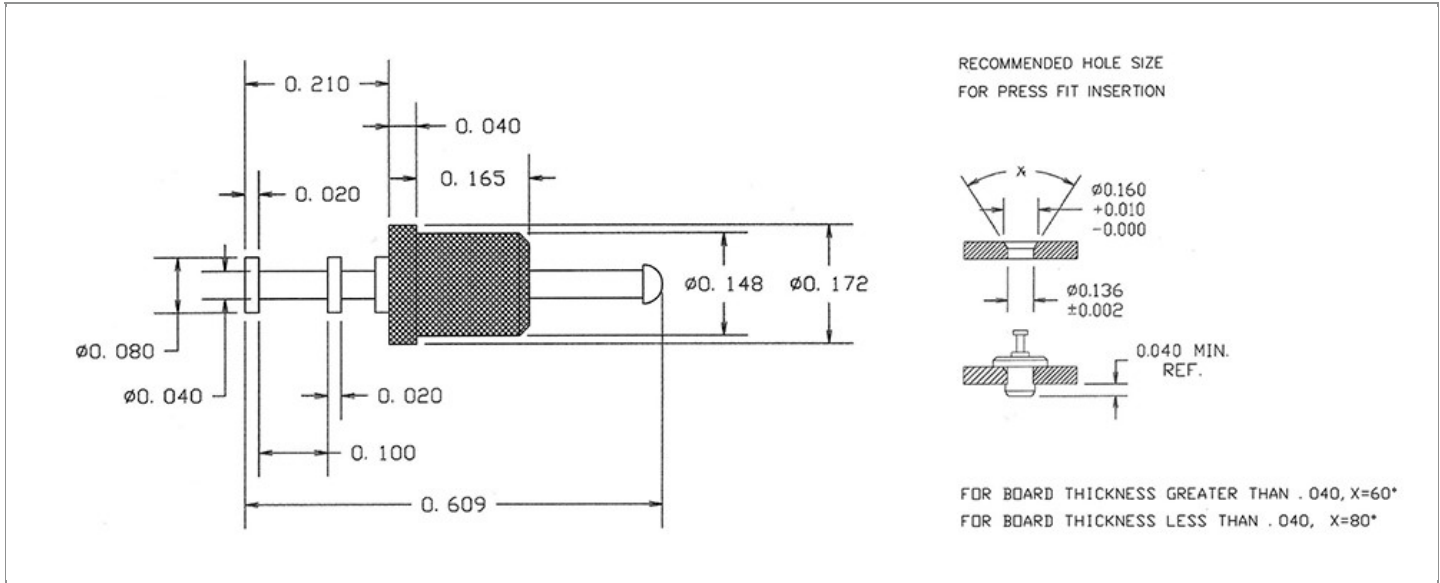


<b>DRAWING NUMBER:</b>	<b>1111-14-XXXX</b>
<b>PRODUCT GROUP:</b>	TERMINALS
<b>SUB-GROUP:</b>	COMMERCIAL INSULATED TERMINALS
<b>DESCRIPTION:</b>	PTFE INSULATED FEED THRU (DOUBLE TURRET/TIP) TERMINAL



OVERALL LENGTH	PIN DIAMETER	FEED THRU COMBINATION	BOARD / PANEL MOUNTING METHOD
0.609"	0.040" ± 0.005	DOUBLE TURRET/TIP	PRESS FIT

SHANK LENGTH (L)	BOARD / PANEL THICKNESS	MOUNTING HOLE SIZE	DRILL SIZE
N/A	UP TO 1/8"	0.136" ± 0.002	#29

**PART NO. STRUCTURE:**

1111	-	14	-	XX	XX
PART SERIES		DIMENSION		FINISH	INSULATION COLOR

**MATERIAL OPTIONS:**

**1111-14-XXXX**

COMPONENT	MATERIAL	MATERIAL AND SPECIFICATION
TERMINAL	BRASS	BRASS PER ASTM B16, ALLOY C36000, 1/2 HARD
BASE/METAL SLEEVE	N/A	N/A
INSULATION*	PTFE	PTFE PER ASTM D1710
NUT	N/A	N/A
WASHER	N/A	N/A

\*For Insulation color, please see INSULATION COLOR OPTIONS on Page 3

## FINISH - PLATING OPTIONS:

1111-14-XXXX

FINISH CODE	COMPONENT	FINISH	FINISH AND SPECIFICATION
01	TERMINAL	SILVER	0.000300"MIN. SILVER PER ASTM B700, TYPE 2, GRADE D WITH A NON-CHROMATE PRESERVATIVE TREATMENT
	BASE/METAL SLEEVE	N/A	N/A
	NUT	N/A	N/A
	WASHER	N/A	N/A
03	TERMINAL	GOLD	0.00010"MIN. GOLD PER ASTM B488, TYPE II, CODE C OVER 0.000100"MIN. NICKEL PER SAE-AMS-QQ-N-290
	BASE/METAL SLEEVE	N/A	N/A
	NUT	N/A	N/A
	WASHER	N/A	N/A
04	TERMINAL	ELECTRO-TIN	0.000300"MIN. ELECTRO-TIN PER ASTM B545 OVER 0.000100"MIN. NICKEL PER SAE-AMS-QQ-N-290
	BASE/METAL SLEEVE	N/A	N/A
	NUT	N/A	N/A
	WASHER	N/A	N/A
044	TERMINAL	BRIGHT ELECTRO-TIN	0.000300"MIN. BRIGHT ELECTRO-TIN PER ASTM B545 OVER 0.000100"MIN. NICKEL PER SAE-AMS-QQ-N-290
	BASE/METAL SLEEVE	N/A	N/A
	NUT	N/A	N/A
	WASHER	N/A	N/A
05	TERMINAL	ELECTRO-SOLDER	0.000300"MIN. ELECTRO-SOLDER PER SAE-AMS-P-81728 OVER 0.000100"MIN. NICKEL PER SAE-AMS-QQ-N-290
	BASE/METAL SLEEVE	N/A	N/A
	NUT	N/A	N/A
	WASHER	N/A	N/A
088	TERMINAL	BRIGHT TIN-LEAD	0.000300"MIN. BRIGHT TIN-LEAD (Sn93%-Pb7%) PER ASTM B545 OVER 0.000100"MIN. NICKEL PER SAE-AMS-QQ-N-290
	BASE/METAL SLEEVE	N/A	N/A
	NUT	N/A	N/A
	WASHER	N/A	N/A

INSULATION COLOR OPTIONS:

1111-14-XX **XX**

INSULATION COLOR	BLACK	BLUE	BROWN	GRAY	GREEN	ORANGE	RED	VIOLET	WHITE	YELLOW
COLOR CODE NO.	10	16	11	18	15	13	12	17	19	14

TOLERANCES:\*

DECIMAL	FRACTIONAL	ANGULAR	DRAWING ORIGATION DATE	LAST MODIFICATION DATE
± 0.005	± 1/64	± 5 °	6/23/1998	3/1/2017

\*All dimensions are in inches.

RoHS COMPLIANCE:

1111-14-01XX

PART NUMBER	RoHS COMPLIANT
1111-14-0110	YES
1111-14-0111	NO
1111-14-0112	NO
1111-14-0113	NO
1111-14-0114	NO
1111-14-0115	YES
1111-14-0116	YES
1111-14-0117	YES
1111-14-0118	NO
1111-14-0119	YES

1111-14-03XX

PART NUMBER	RoHS COMPLIANT
1111-14-0310	YES
1111-14-0311	NO
1111-14-0312	NO
1111-14-0313	NO
1111-14-0314	NO
1111-14-0315	YES
1111-14-0316	YES
1111-14-0317	YES
1111-14-0318	NO
1111-14-0319	YES

1111-14-04XX

PART NUMBER	RoHS COMPLIANT
1111-14-0410	YES
1111-14-0411	NO
1111-14-0412	NO
1111-14-0413	NO
1111-14-0414	NO
1111-14-0415	YES
1111-14-0416	YES
1111-14-0417	YES
1111-14-0418	NO
1111-14-0419	YES

1111-14-044XX

PART NUMBER	RoHS COMPLIANT
1111-14-04410	YES
1111-14-04411	NO
1111-14-04412	NO
1111-14-04413	NO
1111-14-04414	NO
1111-14-04415	YES
1111-14-04416	YES
1111-14-04417	YES
1111-14-04418	NO
1111-14-04419	YES

1111-14-05XX

PART NUMBER	RoHS COMPLIANT
1111-14-0510	NO
1111-14-0511	NO
1111-14-0512	NO
1111-14-0513	NO
1111-14-0514	NO
1111-14-0515	NO
1111-14-0516	NO
1111-14-0517	NO
1111-14-0518	NO
1111-14-0519	NO

1111-14-088XX

PART NUMBER	RoHS COMPLIANT
1111-14-08810	NO
1111-14-08811	NO
1111-14-08812	NO
1111-14-08813	NO
1111-14-08814	NO
1111-14-08815	NO
1111-14-08816	NO
1111-14-08817	NO
1111-14-08818	NO
1111-14-08819	NO

**TOOLING:**

<b>INSTALLATION TOOL: ARBOR PRESS</b>	<b>INSTALLATION TOOL: ANVIL (ARBOR PRESS OPERATED)</b>	<b>INSTALLATION TOOL: PRESS-FIT / ROLL SWAGE / RIVET PUNCH (ARBOR PRESS OPERATED)</b>	<b>INSTALLATION TOOL: PRESS-FIT (HAND OPERATED)</b>
TM1	TA1111-14	TPI1111-14	TTI1111-14

**NOTES:**

<b>DATASHEET NOTES</b>
------------------------

N/A

<b>INSTRUCTION NOTES</b>
--------------------------

SEE GENERAL PRESS FIT INSTALLATION INSTRUCTION ON CONCORD ELECTRONICS' WEBSITE [WWW.CONCORD-ELECTRONICS.COM](http://WWW.CONCORD-ELECTRONICS.COM).