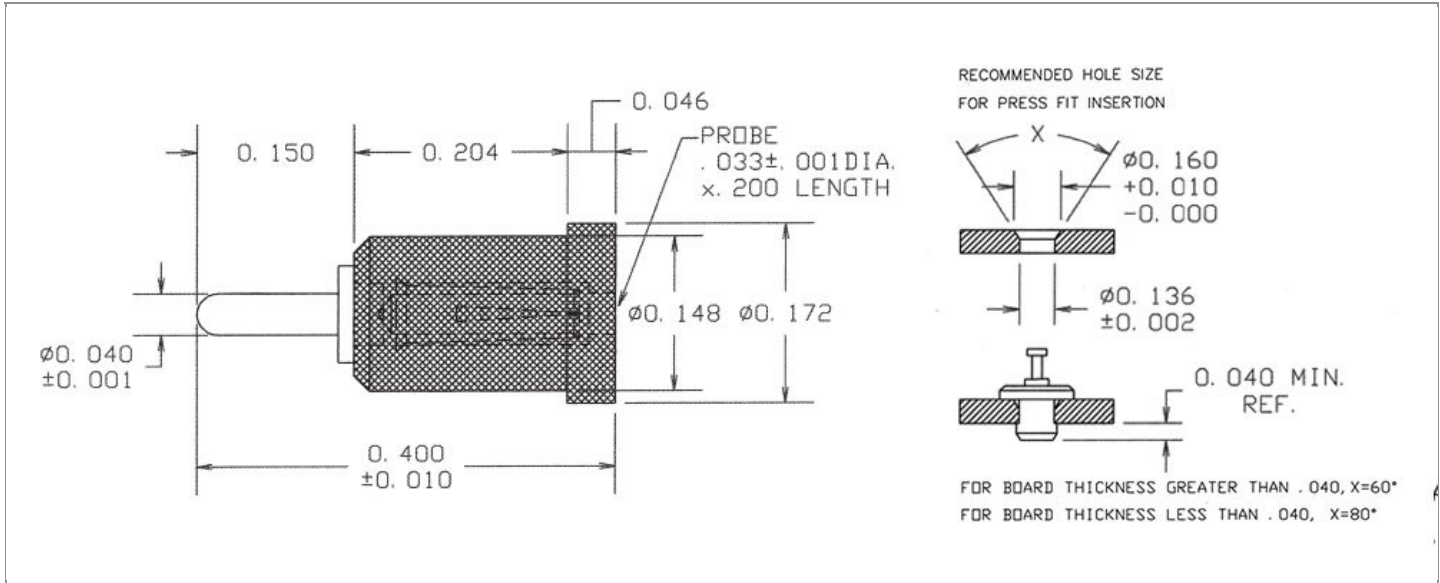


|                        |  |
|------------------------|--|
| <b>DRAWING NUMBER:</b> | <b>1128-65-XXXX</b>                        |
| <b>PRODUCT GROUP:</b>  | PC JACKS                                   |
| <b>SUB-GROUP:</b>      | INSULATED PC JACKS                         |
| <b>DESCRIPTION:</b>    | TEST POINT INSULATED JACK - VERTICAL MOUNT |



| ACCEPTS PIN / PLUG / JACK SIZE | OVERALL LENGTH     | MIN. HOLE DEPTH         | MOUNTING ORIENTATION  |
|--------------------------------|--------------------|-------------------------|-----------------------|
| 0.033" ± 0.001                 | 0.400"             | 0.200"                  | VERTICAL              |
| BOARD / PANEL MOUNTING METHOD  | MOUNTING HOLE SIZE | BOARD / PANEL THICKNESS | FEED THRU COMBINATION |
| PRESS FIT                      | 0.136" ± 0.002     | 1/32" - 5/32"           | JACK/PIN              |

**PART NO. STRUCTURE:**

|             |   |           |   |           |  |                  |
|-------------|---|-----------|---|-----------|--|------------------|
| <b>1128</b> | - | <b>65</b> | - | <b>XX</b> |  | <b>XX</b>        |
| PART SERIES |   | DIMENSION |   | FINISH    |  | INSULATION COLOR |

**MATERIAL OPTIONS:**

**1128-65-XXXX**

| COMPONENT        | MATERIAL         | MATERIAL AND SPECIFICATION                   |
|------------------|------------------|--|
| BODY             | N/A              | N/A  |
| SPRING (CAGE)    | BERYLLIUM COPPER | BERYLLIUM COPPER PER ASTM B196, ALLOY C17300 |
| INSULATION*      | PTFE             | PTFE PER ASTM D1710                          |
| MOUNTING BRACKET | N/A              | N/A  |

\*For Insulation color, please see INSULATION COLOR OPTIONS on Page 2

FINISH - PLATING OPTIONS:

1128-65-XXXX

| FINISH CODE | COMPONENT        | FINISH | FINISH AND SPECIFICATION  |
|-------------|------------------|--------|---|
| 03          | BODY             | N/A    | N/A   |
|             | SPRING (CAGE)    | GOLD   | 0.000010"MIN. GOLD PER ASTM B488, TYPE II, CODE C OVER 0.000100"MIN. NICKEL PER SAE-AMS-QQ-N-290, CLASS 2 |
|             | MOUNTING BRACKET | N/A    | N/A   |
| 035         | BODY             | N/A    | N/A   |
|             | SPRING (CAGE)    | GOLD   | 0.000050"MIN. GOLD PER ASTM B488, TYPE II, CODE C OVER 0.000100"MIN. NICKEL PER SAE-AMS-QQ-N-290, CLASS 2 |
|             | MOUNTING BRACKET | N/A    | N/A   |

INSULATION COLOR OPTIONS:

1128-65-XXXX

| INSULATION COLOR | BLACK | BLUE | BROWN | GRAY | GREEN | ORANGE | RED | VIOLET | WHITE | YELLOW |
|------------------|-------|------|-------|------|-------|--------|-----|--------|-------|--------|
| COLOR CODE NO.   | 10    | 16   | 11    | 18   | 15    | 13     | 12  | 17     | 19    | 14     |

TOLERANCES:\*

| DECIMAL | FRACTIONAL | ANGULAR | DRAWING ORIGATION DATE | LAST MODIFICATION DATE |
|---------|------------|---------|------------------------|------------------------|
| ± 0.005 | ± 1/64     | N/A     | 6/9/2000               | 1/1/2017               |

\*All dimensions are in inches.

RoHS COMPLIANCE:

1128-65-03XX

| PART NUMBER  | RoHS COMPLIANT |
|--------------|----------------|
| 1128-65-0310 | YES            |
| 1128-65-0311 | NO             |
| 1128-65-0312 | NO             |
| 1128-65-0313 | NO             |
| 1128-65-0314 | NO             |
| 1128-65-0315 | YES            |
| 1128-65-0316 | YES            |
| 1128-65-0317 | YES            |
| 1128-65-0318 | NO             |
| 1128-65-0319 | YES            |

1128-65-035XX

| PART NUMBER   | RoHS COMPLIANT |
|---------------|----------------|
| 1128-65-03510 | YES            |
| 1128-65-03511 | NO             |
| 1128-65-03512 | NO             |
| 1128-65-03513 | NO             |
| 1128-65-03514 | NO             |
| 1128-65-03515 | YES            |
| 1128-65-03516 | YES            |
| 1128-65-03517 | YES            |
| 1128-65-03518 | NO             |
| 1128-65-03519 | YES            |

MILITARY REFERENCE SPECIFICATIONS:

1128-65-03XX

| PART NUMBER  | MIL SPECIFICATION | MIL PART NUMBER |
|--------------|-------------------|-----------------|
| 1128-65-0310 | N/A               | N/A             |
| 1128-65-0311 | N/A               | N/A             |
| 1128-65-0312 | N/A               | N/A             |
| 1128-65-0313 | N/A               | N/A             |
| 1128-65-0314 | N/A               | N/A             |
| 1128-65-0315 | N/A               | N/A             |
| 1128-65-0316 | N/A               | N/A             |
| 1128-65-0317 | N/A               | N/A             |
| 1128-65-0318 | N/A               | N/A             |
| 1128-65-0319 | N/A               | N/A             |

1128-65-035XX

| PART NUMBER   | MIL SPECIFICATION | MIL PART NUMBER |
|---------------|-------------------|-----------------|
| 1128-65-03510 | N/A               | N/A             |
| 1128-65-03511 | N/A               | N/A             |
| 1128-65-03512 | N/A               | N/A             |
| 1128-65-03513 | N/A               | N/A             |
| 1128-65-03514 | N/A               | N/A             |
| 1128-65-03515 | N/A               | N/A             |
| 1128-65-03516 | N/A               | N/A             |
| 1128-65-03517 | N/A               | N/A             |
| 1128-65-03518 | N/A               | N/A             |
| 1128-65-03519 | N/A               | N/A             |

TOOLING:

| INSTALLATION TOOL:<br>ARBOR PRESS | INSTALLATION TOOL:<br>ANVIL<br>(ARBOR PRESS OPERATED) | INSTALLATION TOOL:<br>PRESS-FIT / ROLL SWAGE<br>/ RIVET PUNCH<br>(ARBOR PRESS OPERATED) | INSTALLATION TOOL:<br>PRESS-FIT<br>(HAND OPERATED) | CRIMPING TOOL<br>(COMMERCIAL VERSION) |
|-----------------------------------|---|---|--|---------------------------------------|
| TM1                               | TA1128-65   | TPP1128-65  | TTJ1128-65   | N/A                                   |

NOTES:

|                        |
|------------------------|
| <b>DATASHEET NOTES</b> |
|------------------------|

N/A

|                          |
|--------------------------|
| <b>INSTRUCTION NOTES</b> |
|--------------------------|

SEE GENERAL PRESS FIT INSTALLATION INSTRUCTION ON CONCORD ELECTRONICS' WEBSITE [WWW.CONCORD-ELECTRONICS.COM](http://WWW.CONCORD-ELECTRONICS.COM)