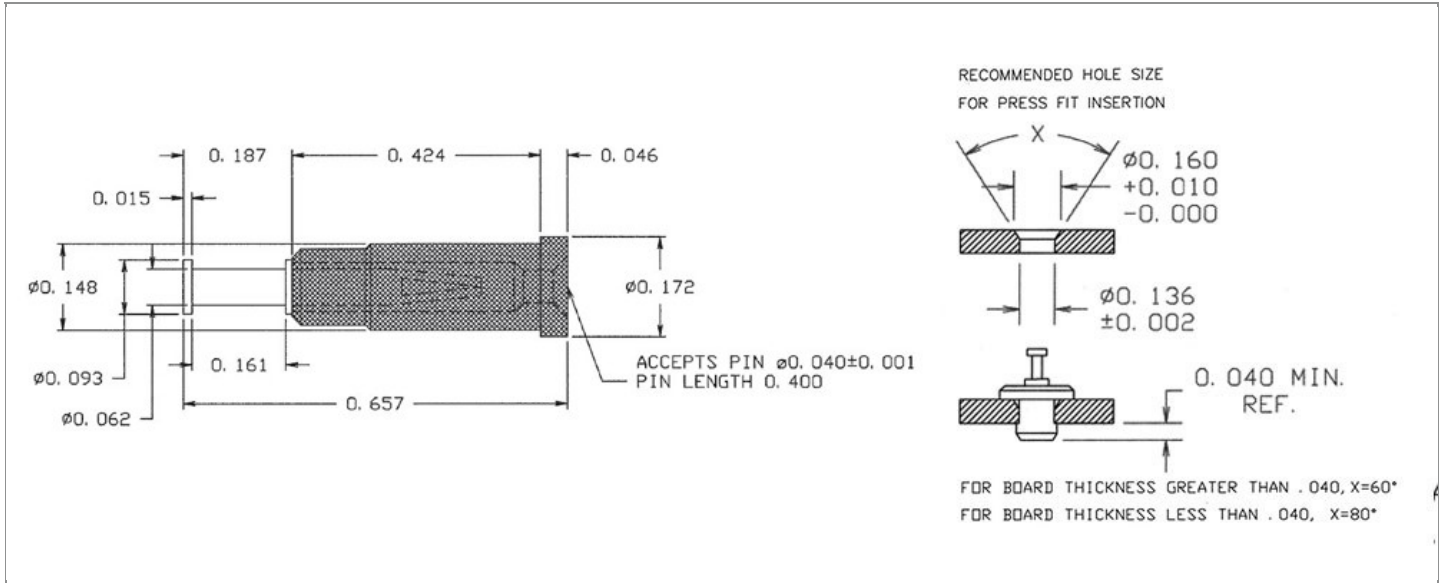


| | |
|------------------------|--|
| DRAWING NUMBER: | 1128-37-XXXX |
| PRODUCT GROUP: | PC JACKS |
| SUB-GROUP: | INSULATED PC JACKS |
| DESCRIPTION: | TEST POINT INSULATED JACK - VERTICAL MOUNT |



| ACCEPTS PIN / PLUG / JACK SIZE | OVERALL LENGTH | MIN. HOLE DEPTH | MOUNTING ORIENTATION |
|--------------------------------|--------------------|-------------------------|-----------------------|
| 0.040" \pm 0.001 | 0.657" | 0.400" | VERTICAL |
| BOARD / PANEL MOUNTING METHOD | MOUNTING HOLE SIZE | BOARD / PANEL THICKNESS | FEED THRU COMBINATION |
| PRESS FIT | 0.136" \pm 0.002 | 1/32" - 1/4" | JACK/TURRET |

PART NO. STRUCTURE:

| | | | | | |
|-------------|---|-----------|---|--------|------------------|
| 1128 | - | 37 | - | XX | XX |
| PART SERIES | | DIMENSION | | FINISH | INSULATION COLOR |

MATERIAL OPTIONS:

1128-37-XXXX

| COMPONENT | MATERIAL | MATERIAL AND SPECIFICATION |
|------------------|------------------|--|
| BODY | N/A | N/A |
| SPRING (CAGE) | BERYLLIUM COPPER | BERYLLIUM COPPER PER ASTM B196, ALLOY C17300 |
| INSULATION* | PTFE | PTFE PER ASTM D1710 |
| MOUNTING BRACKET | N/A | N/A |

*For Insulation color, please see INSULATION COLOR OPTIONS on Page 2

FINISH - PLATING OPTIONS:

1128-37-XXXX

| FINISH CODE | COMPONENT | FINISH | FINISH AND SPECIFICATION |
|-------------|------------------|--------|---|
| 03 | BODY | N/A | N/A |
| | SPRING (CAGE) | GOLD | 0.000010"MIN. GOLD PER ASTM B488, TYPE II, CODE C OVER 0.000100"MIN. NICKEL PER SAE-AMS-QQ-N-290, CLASS 2 |
| | MOUNTING BRACKET | N/A | N/A |
| 035 | BODY | N/A | N/A |
| | SPRING (CAGE) | GOLD | 0.000050"MIN. GOLD PER ASTM B488, TYPE II, CODE C OVER 0.000100"MIN. NICKEL PER SAE-AMS-QQ-N-290, CLASS 2 |
| | MOUNTING BRACKET | N/A | N/A |

INSULATION COLOR OPTIONS:

1128-37-XXXX

| INSULATION COLOR | BLACK | BLUE | BROWN | GRAY | GREEN | ORANGE | RED | VIOLET | WHITE | YELLOW |
|------------------|-------|------|-------|------|-------|--------|-----|--------|-------|--------|
| COLOR CODE NO. | 10 | 16 | 11 | 18 | 15 | 13 | 12 | 17 | 19 | 14 |

TOLERANCES:*

| DECIMAL | FRACTIONAL | ANGULAR | DRAWING ORIGATION DATE | LAST MODIFICATION DATE |
|---------|------------|---------|------------------------|------------------------|
| ± 0.005 | ± 1/64 | N/A | 2/3/1998 | 1/1/2017 |

*All dimensions are in inches.

RoHS COMPLIANCE:

1128-37-03XX

| PART NUMBER | RoHS COMPLIANT |
|--------------|----------------|
| 1128-37-0310 | YES |
| 1128-37-0311 | NO |
| 1128-37-0312 | NO |
| 1128-37-0313 | NO |
| 1128-37-0314 | NO |
| 1128-37-0315 | YES |
| 1128-37-0316 | YES |
| 1128-37-0317 | YES |
| 1128-37-0318 | NO |
| 1128-37-0319 | YES |

1128-37-035XX

| PART NUMBER | RoHS COMPLIANT |
|---------------|----------------|
| 1128-37-03510 | YES |
| 1128-37-03511 | NO |
| 1128-37-03512 | NO |
| 1128-37-03513 | NO |
| 1128-37-03514 | NO |
| 1128-37-03515 | YES |
| 1128-37-03516 | YES |
| 1128-37-03517 | YES |
| 1128-37-03518 | NO |
| 1128-37-03519 | YES |

MILITARY REFERENCE SPECIFICATIONS:

1128-37-03XX

| PART NUMBER | MIL SPECIFICATION | MIL PART NUMBER |
|--------------|-------------------|-----------------|
| 1128-37-0310 | N/A | N/A |
| 1128-37-0311 | N/A | N/A |
| 1128-37-0312 | N/A | N/A |
| 1128-37-0313 | N/A | N/A |
| 1128-37-0314 | N/A | N/A |
| 1128-37-0315 | N/A | N/A |
| 1128-37-0316 | N/A | N/A |
| 1128-37-0317 | N/A | N/A |
| 1128-37-0318 | N/A | N/A |
| 1128-37-0319 | N/A | N/A |

1128-37-035XX

| PART NUMBER | MIL SPECIFICATION | MIL PART NUMBER |
|---------------|-------------------|-----------------|
| 1128-37-03510 | N/A | N/A |
| 1128-37-03511 | N/A | N/A |
| 1128-37-03512 | N/A | N/A |
| 1128-37-03513 | N/A | N/A |
| 1128-37-03514 | N/A | N/A |
| 1128-37-03515 | N/A | N/A |
| 1128-37-03516 | N/A | N/A |
| 1128-37-03517 | N/A | N/A |
| 1128-37-03518 | N/A | N/A |
| 1128-37-03519 | N/A | N/A |

TOOLING:

| INSTALLATION TOOL: ARBOR PRESS | INSTALLATION TOOL: ANVIL (ARBOR PRESS OPERATED) | INSTALLATION TOOL: PRESS-FIT / ROLL SWAGE / RIVET PUNCH (ARBOR PRESS OPERATED) | INSTALLATION TOOL: PRESS-FIT (HAND OPERATED) | CRIMPING TOOL (COMMERCIAL VERSION) |
|-----------------------------------|---|---|--|---------------------------------------|
| TM1 | TA1128-37 | TPP1128-37 | TTJ1128-37 | N/A |

NOTES:

| |
|------------------------|
| DATASHEET NOTES |
|------------------------|

N/A

| |
|--------------------------|
| INSTRUCTION NOTES |
|--------------------------|

SEE GENERAL PRESS FIT INSTALLATION INSTRUCTION ON CONCORD ELECTRONICS' WEBSITE WWW.CONCORD-ELECTRONICS.COM