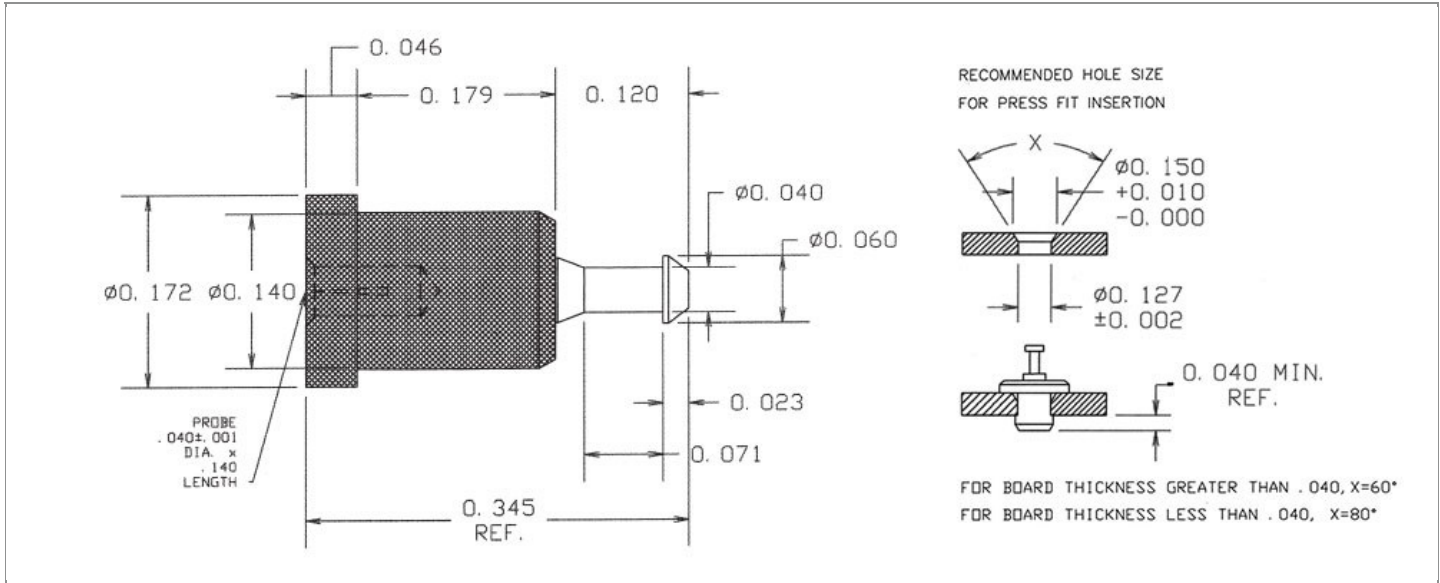


|                        |  |
|------------------------|--|
| <b>DRAWING NUMBER:</b> | <b>1128-04-XXXX</b>                        |
| <b>PRODUCT GROUP:</b>  | PC JACKS                                   |
| <b>SUB-GROUP:</b>      | INSULATED PC JACKS                         |
| <b>DESCRIPTION:</b>    | TEST POINT INSULATED JACK - VERTICAL MOUNT |



| ACCEPTS PIN / PLUG / JACK SIZE | OVERALL LENGTH     | MIN. HOLE DEPTH         | MOUNTING ORIENTATION  |
|--------------------------------|--------------------|-------------------------|-----------------------|
| 0.040" ± 0.001                 | 0.345"             | 0.140"                  | VERTICAL              |
| BOARD / PANEL MOUNTING METHOD  | MOUNTING HOLE SIZE | BOARD / PANEL THICKNESS | FEED THRU COMBINATION |
| PRESS FIT                      | 0.127" ± 0.002     | 1/32" - 1/8"            | JACK/TURRET           |

**PART NO. STRUCTURE:**

|             |   |           |   |           |                  |
|-------------|---|-----------|---|-----------|------------------|
| <b>1128</b> | - | <b>04</b> | - | <b>XX</b> | <b>XX</b>        |
| PART SERIES |   | DIMENSION |   | FINISH    | INSULATION COLOR |

**MATERIAL OPTIONS:**

| <b>1128-04-XXXX</b> |                  |  |
|---------------------|------------------|--|
| COMPONENT           | MATERIAL         | MATERIAL AND SPECIFICATION                   |
| BODY                | N/A              | N/A  |
| SPRING (CAGE)       | BERYLLIUM COPPER | BERYLLIUM COPPER PER ASTM B196, ALLOY C17300 |
| INSULATION*         | PTFE             | PTFE PER ASTM D1710                          |
| MOUNTING BRACKET    | N/A              | N/A  |

\*For Insulation color, please see INSULATION COLOR OPTIONS on Page 2

FINISH - PLATING OPTIONS:

1128-04-XXXX

| FINISH CODE | COMPONENT        | FINISH          | FINISH AND SPECIFICATION   |
|-------------|------------------|-----------------|--|
| 03          | BODY             | N/A             | N/A  |
|             | SPRING (CAGE)    | GOLD            | 0.000010"MIN. GOLD PER ASTM B488, TYPE II, CODE C OVER 0.000100"MIN. NICKEL PER SAE-AMS-QQ-N-290, CLASS 2        |
|             | MOUNTING BRACKET | N/A             | N/A  |
| 0301        | BODY             | N/A             | N/A  |
|             | SPRING (CAGE)    | GOLD            | 0.000010"MIN. GOLD PER ASTM B488, TYPE II, CODE C OVER 0.000100"MIN. SILVER PER ASTM B700, TYPE 2, GRADE D       |
|             | MOUNTING BRACKET | N/A             | N/A  |
| 035         | BODY             | N/A             | N/A  |
|             | SPRING (CAGE)    | GOLD            | 0.000050"MIN. GOLD PER ASTM B488, TYPE II, CODE C OVER 0.000100"MIN. NICKEL PER SAE-AMS-QQ-N-290, CLASS 2        |
|             | MOUNTING BRACKET | N/A             | N/A  |
| 088         | BODY             | N/A             | N/A  |
|             | SPRING (CAGE)    | BRIGHT TIN-LEAD | 0.000200"MIN. BRIGHT TIN-LEAD (Sn93%-Pb7%) PER ASTM B545 OVER 0.000100"MIN. NICKEL PER SAE-AMS-QQ-N-290, CLASS 2 |
|             | MOUNTING BRACKET | N/A             | N/A  |

INSULATION COLOR OPTIONS:

1128-04-XXXX

| INSULATION COLOR | BLACK | BLUE | BROWN | GRAY | GREEN | ORANGE | RED | VIOLET | WHITE | YELLOW |
|------------------|-------|------|-------|------|-------|--------|-----|--------|-------|--------|
| COLOR CODE NO.   | 10    | 16   | 11    | 18   | 15    | 13     | 12  | 17     | 19    | 14     |

TOLERANCES:\*

| DECIMAL | FRACTIONAL | ANGULAR | DRAWING ORIENTATION DATE | LAST MODIFICATION DATE |
|---------|------------|---------|--------------------------|------------------------|
| ± 0.005 | ± 1/64     | ± 5 °   | 6/22/2000                | 1/1/2017               |

\*All dimensions are in inches.

RoHS COMPLIANCE:

1128-04-03XX

| PART NUMBER  | RoHS COMPLIANT |
|--------------|----------------|
| 1128-04-0310 | YES            |
| 1128-04-0311 | NO             |
| 1128-04-0312 | NO             |
| 1128-04-0313 | NO             |
| 1128-04-0314 | NO             |
| 1128-04-0315 | YES            |
| 1128-04-0316 | YES            |
| 1128-04-0317 | YES            |
| 1128-04-0318 | NO             |
| 1128-04-0319 | YES            |

1128-04-0301XX

| PART NUMBER    | RoHS COMPLIANT |
|----------------|----------------|
| 1128-04-030110 | YES            |
| 1128-04-030111 | NO             |
| 1128-04-030112 | NO             |
| 1128-04-030113 | NO             |
| 1128-04-030114 | NO             |
| 1128-04-030115 | YES            |
| 1128-04-030116 | YES            |
| 1128-04-030117 | YES            |
| 1128-04-030118 | NO             |
| 1128-04-030119 | YES            |

1128-04-035XX

| PART NUMBER   | RoHS COMPLIANT |
|---------------|----------------|
| 1128-04-03510 | YES            |
| 1128-04-03511 | NO             |
| 1128-04-03512 | NO             |
| 1128-04-03513 | NO             |
| 1128-04-03514 | NO             |
| 1128-04-03515 | YES            |
| 1128-04-03516 | YES            |
| 1128-04-03517 | YES            |
| 1128-04-03518 | NO             |
| 1128-04-03519 | YES            |

1128-04-088XX

| PART NUMBER   | RoHS COMPLIANT |
|---------------|----------------|
| 1128-04-08810 | NO             |
| 1128-04-08811 | NO             |
| 1128-04-08812 | NO             |
| 1128-04-08813 | NO             |
| 1128-04-08814 | NO             |
| 1128-04-08815 | NO             |
| 1128-04-08816 | NO             |
| 1128-04-08817 | NO             |
| 1128-04-08818 | NO             |
| 1128-04-08819 | NO             |

MILITARY REFERENCE SPECIFICATIONS:

1128-04-03XX

| PART NUMBER  | MIL SPECIFICATION | MIL PART NUMBER |
|--------------|-------------------|-----------------|
| 1128-04-0310 | N/A               | N/A             |
| 1128-04-0311 | N/A               | N/A             |
| 1128-04-0312 | N/A               | N/A             |
| 1128-04-0313 | N/A               | N/A             |
| 1128-04-0314 | N/A               | N/A             |
| 1128-04-0315 | N/A               | N/A             |
| 1128-04-0316 | N/A               | N/A             |

1128-04-0301XX

| PART NUMBER    | MIL SPECIFICATION | MIL PART NUMBER |
|----------------|-------------------|-----------------|
| 1128-04-030110 | N/A               | N/A             |
| 1128-04-030111 | N/A               | N/A             |
| 1128-04-030112 | N/A               | N/A             |
| 1128-04-030113 | N/A               | N/A             |
| 1128-04-030114 | N/A               | N/A             |
| 1128-04-030115 | N/A               | N/A             |
| 1128-04-030116 | N/A               | N/A             |

Continued on next page...

MILITARY REFERENCE SPECIFICATIONS CONTINUED:

1128-04-03XX

| PART NUMBER  | MIL SPECIFICATION | MIL PART NUMBER |
|--------------|-------------------|-----------------|
| 1128-04-0317 | N/A               | N/A             |
| 1128-04-0318 | N/A               | N/A             |
| 1128-04-0319 | N/A               | N/A             |

1128-04-0301XX

| PART NUMBER    | MIL SPECIFICATION | MIL PART NUMBER |
|----------------|-------------------|-----------------|
| 1128-04-030117 | N/A               | N/A             |
| 1128-04-030118 | N/A               | N/A             |
| 1128-04-030119 | N/A               | N/A             |

1128-04-035XX

| PART NUMBER   | MIL SPECIFICATION | MIL PART NUMBER |
|---------------|-------------------|-----------------|
| 1128-04-03510 | N/A               | N/A             |
| 1128-04-03511 | N/A               | N/A             |
| 1128-04-03512 | N/A               | N/A             |
| 1128-04-03513 | N/A               | N/A             |
| 1128-04-03514 | N/A               | N/A             |
| 1128-04-03515 | N/A               | N/A             |
| 1128-04-03516 | N/A               | N/A             |
| 1128-04-03517 | N/A               | N/A             |
| 1128-04-03518 | N/A               | N/A             |
| 1128-04-03519 | N/A               | N/A             |

1128-04-088XX

| PART NUMBER   | MIL SPECIFICATION | MIL PART NUMBER |
|---------------|-------------------|-----------------|
| 1128-04-08810 | N/A               | N/A             |
| 1128-04-08811 | N/A               | N/A             |
| 1128-04-08812 | N/A               | N/A             |
| 1128-04-08813 | N/A               | N/A             |
| 1128-04-08814 | N/A               | N/A             |
| 1128-04-08815 | N/A               | N/A             |
| 1128-04-08816 | N/A               | N/A             |
| 1128-04-08817 | N/A               | N/A             |
| 1128-04-08818 | N/A               | N/A             |
| 1128-04-08819 | N/A               | N/A             |

TOOLING:

| INSTALLATION TOOL:<br>ARBOR PRESS | INSTALLATION TOOL:<br>ANVIL<br>(ARBOR PRESS OPERATED) | INSTALLATION TOOL:<br>PRESS-FIT / ROLL SWAGE<br>/ RIVET PUNCH<br>(ARBOR PRESS OPERATED) | INSTALLATION TOOL:<br>PRESS-FIT<br>(HAND OPERATED) | CRIMPING TOOL<br>(COMMERCIAL VERSION) |
|-----------------------------------|---|---|--|---------------------------------------|
| TM1                               | TA1128-04   | TPP1128-04  | TTJ1128-04   | N/A                                   |

NOTES:

| DATASHEET NOTES |
|-----------------|
| N/A             |

| INSTRUCTION NOTES   |
|---|
| SEE GENERAL PRESS FIT INSTALLATION INSTRUCTION ON CONCORD ELECTRONICS' WEBSITE <a href="http://WWW.CONCORD-ELECTRONICS.COM">WWW.CONCORD-ELECTRONICS.COM</a> |