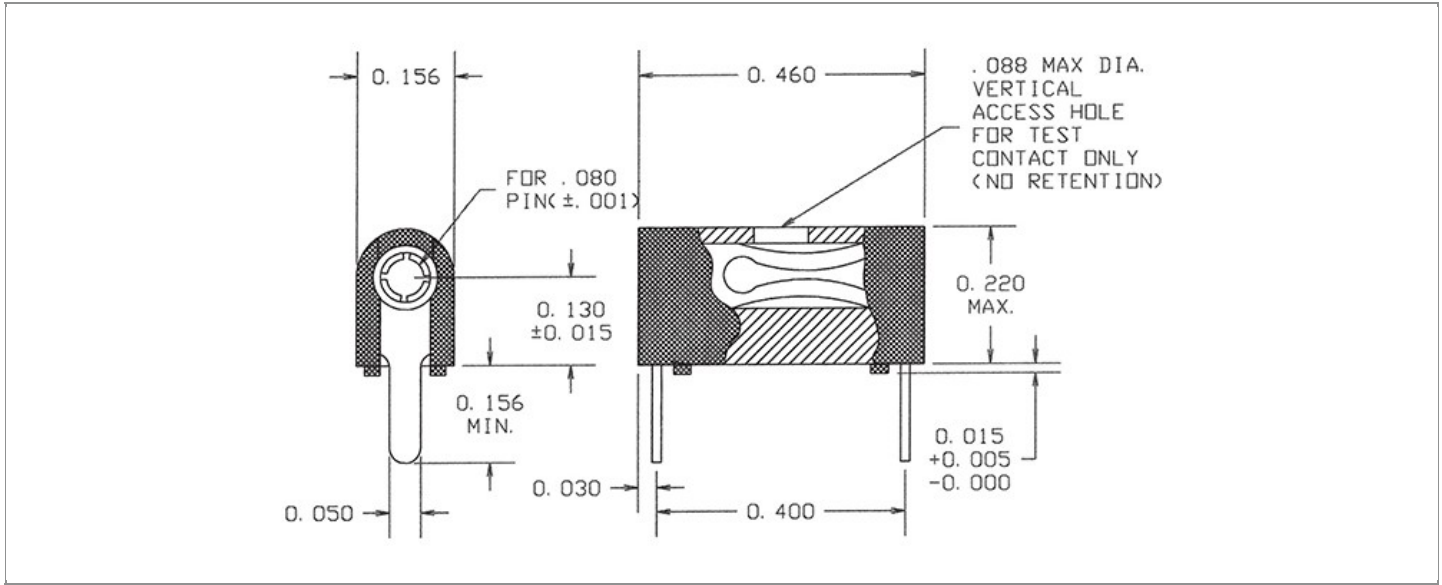


DRAWING NUMBER:	09-9307-1-XXXX
PRODUCT GROUP:	PC JACKS
SUB-GROUP:	INSULATED PC JACKS
DESCRIPTION:	TEST POINT INSULATED JACK - HORIZONTAL MOUNT



ACCEPTS PIN / PLUG / JACK SIZE	OVERALL LENGTH	MIN. HOLE DEPTH	MOUNTING ORIENTATION
0.080" ± 0.001	0.460"	0.400"	HORIZONTAL
BOARD / PANEL MOUNTING METHOD	MOUNTING HOLE SIZE	BOARD / PANEL THICKNESS	FEED THRU COMBINATION
SOLDER	0.052" ± 0.002	1/32" - 5/64"	N/A

PART NO. STRUCTURE:

09-9307	-	1	-	XX	XX
PART SERIES		DIMENSION		FINISH	INSULATION COLOR

MATERIAL OPTIONS:

09-9307-1-XXXX

COMPONENT	MATERIAL	MATERIAL AND SPECIFICATION
BODY	N/A	N/A
SPRING (CAGE)	BERYLLIUM COPPER	BERYLLIUM COPPER PER ASTM B194, ALLOY C17200
INSULATION*	NYLON	NYLON PER ASTM D4066
MOUNTING BRACKET	N/A	N/A

*For Insulation color, please see INSULATION COLOR OPTIONS on Page 2

FINISH - PLATING OPTIONS:

09-9307-1-XXXX

FINISH CODE	COMPONENT	FINISH	FINISH AND SPECIFICATION
03	BODY	N/A	N/A
	SPRING (CAGE)	GOLD	0.000010"MIN. GOLD PER ASTM B488, TYPE II, CODE C OVER 0.000100"MIN. NICKEL PER SAE-AMS-QQ-N-290, CLASS 2
	MOUNTING BRACKET	N/A	N/A
035	BODY	N/A	N/A
	SPRING (CAGE)	GOLD	0.000050"MIN. GOLD PER ASTM B488, TYPE II, CODE C OVER 0.000030"- 0.000150" NICKEL PER SAE-AMS-QQ-N-290, CLASS 2
	MOUNTING BRACKET	N/A	N/A
044	BODY	N/A	N/A
	SPRING (CAGE)	BRIGHT ELECTRO-TIN	0.000200"MIN. BRIGHT ELECTRO-TIN PER ASTM B545 OVER 0.000100"MIN. NICKEL PER SAE-AMS-QQ-N-290, CLASS 2
	MOUNTING BRACKET	N/A	N/A

INSULATION COLOR OPTIONS:

09-9307-1-XXXX

INSULATION COLOR	BLACK	BLUE	BROWN	GRAY	GREEN	ORANGE	RED	VIOLET	WHITE	YELLOW
COLOR CODE NO.	10	16	11	18	15	13	12	17	19	14

TOLERANCES:*

DECIMAL	FRACTIONAL	ANGULAR	DRAWING ORIGINATION DATE	LAST MODIFICATION DATE
± 0.010	N/A	N/A	9/9/1997	1/1/2017

*All dimensions are in inches.

RoHS COMPLIANCE:

09-9307-1-03XX

PART NUMBER	RoHS COMPLIANT
09-9307-1-0310	YES
09-9307-1-0311	YES
09-9307-1-0312	YES
09-9307-1-0313	YES
09-9307-1-0314	YES
09-9307-1-0315	YES
09-9307-1-0316	YES
09-9307-1-0317	YES
09-9307-1-0318	YES
09-9307-1-0319	YES

09-9307-1-035XX

PART NUMBER	RoHS COMPLIANT
09-9307-1-03510	YES
09-9307-1-03511	YES
09-9307-1-03512	YES
09-9307-1-03513	YES
09-9307-1-03514	YES
09-9307-1-03515	YES
09-9307-1-03516	YES
09-9307-1-03517	YES
09-9307-1-03518	YES
09-9307-1-03519	YES

09-9307-1-044XX

PART NUMBER	RoHS COMPLIANT
09-9307-1-04410	YES
09-9307-1-04411	YES
09-9307-1-04412	YES
09-9307-1-04413	YES
09-9307-1-04414	YES
09-9307-1-04415	YES
09-9307-1-04416	YES
09-9307-1-04417	YES
09-9307-1-04418	YES
09-9307-1-04419	YES

MILITARY REFERENCE SPECIFICATIONS:

09-9307-1-03XX

PART NUMBER	MIL SPECIFICATION	MIL PART NUMBER
09-9307-1-0310	N/A	N/A
09-9307-1-0311	N/A	N/A
09-9307-1-0312	N/A	N/A
09-9307-1-0313	N/A	N/A
09-9307-1-0314	N/A	N/A
09-9307-1-0315	N/A	N/A
09-9307-1-0316	N/A	N/A
09-9307-1-0317	N/A	N/A
09-9307-1-0318	N/A	N/A
09-9307-1-0319	N/A	N/A

09-9307-1-035XX

PART NUMBER	MIL SPECIFICATION	MIL PART NUMBER
09-9307-1-03510	MIL-C-39024/11	M39024/11-63
09-9307-1-03511	MIL-C-39024/11	M39024/11-64
09-9307-1-03512	MIL-C-39024/11	M39024/11-62
09-9307-1-03513	MIL-C-39024/11	M39024/11-66
09-9307-1-03514	MIL-C-39024/11	M39024/11-68
09-9307-1-03515	MIL-C-39024/11	M39024/11-65
09-9307-1-03516	MIL-C-39024/11	M39024/11-67
09-9307-1-03517	MIL-C-39024/11	M39024/11-70
09-9307-1-03518	MIL-C-39024/11	M39024/11-69
09-9307-1-03519	MIL-C-39024/11	M39024/11-61

09-9307-1-044XX

PART NUMBER	MIL SPECIFICATION	MIL PART NUMBER
09-9307-1-04410	N/A	N/A
09-9307-1-04411	N/A	N/A
09-9307-1-04412	N/A	N/A
09-9307-1-04413	N/A	N/A
09-9307-1-04414	N/A	N/A
09-9307-1-04415	N/A	N/A
09-9307-1-04416	N/A	N/A

Continued on next page...

MILITARY REFERENCE SPECIFICATIONS CONTINUED:

09-9307-1-044XX

PART NUMBER	MIL SPECIFICATION	MIL PART NUMBER
09-9307-1-04417	N/A	N/A
09-9307-1-04418	N/A	N/A
09-9307-1-04419	N/A	N/A

TOOLING:

INSTALLATION TOOL: ARBOR PRESS	INSTALLATION TOOL: ANVIL (ARBOR PRESS OPERATED)	INSTALLATION TOOL: PRESS-FIT / ROLL SWAGE / RIVET PUNCH (ARBOR PRESS OPERATED)	INSTALLATION TOOL: PRESS-FIT (HAND OPERATED)	CRIMPING TOOL (COMMERCIAL VERSION)
N/A	N/A	N/A	N/A	N/A

NOTES:

DATASHEET NOTES

THIS TEST POINT JACK FEATURE FOUR SMALL STANDOFFS WHICH SLIGHTLY ELEVATE THE BASE OF JACK, PERMITTING CLEANING SOLUTION TO PASS UNDERNEATH FOR A MORE COMPLETE RINSING IN ACCORDANCE WITH MIL-STD 2000A. IT SOLVES CORROSION PROBLEMS ON P.C. BOARDS CAUSED BY CLEANING SOLUTIONS LEACHING FROM UNDER INSTALLED TEST POINT INSULATION. THERE IS A VERTICAL ACCESS HOLE OPTION FOR TEST CONTACT.

INSTRUCTION NOTES

N/A